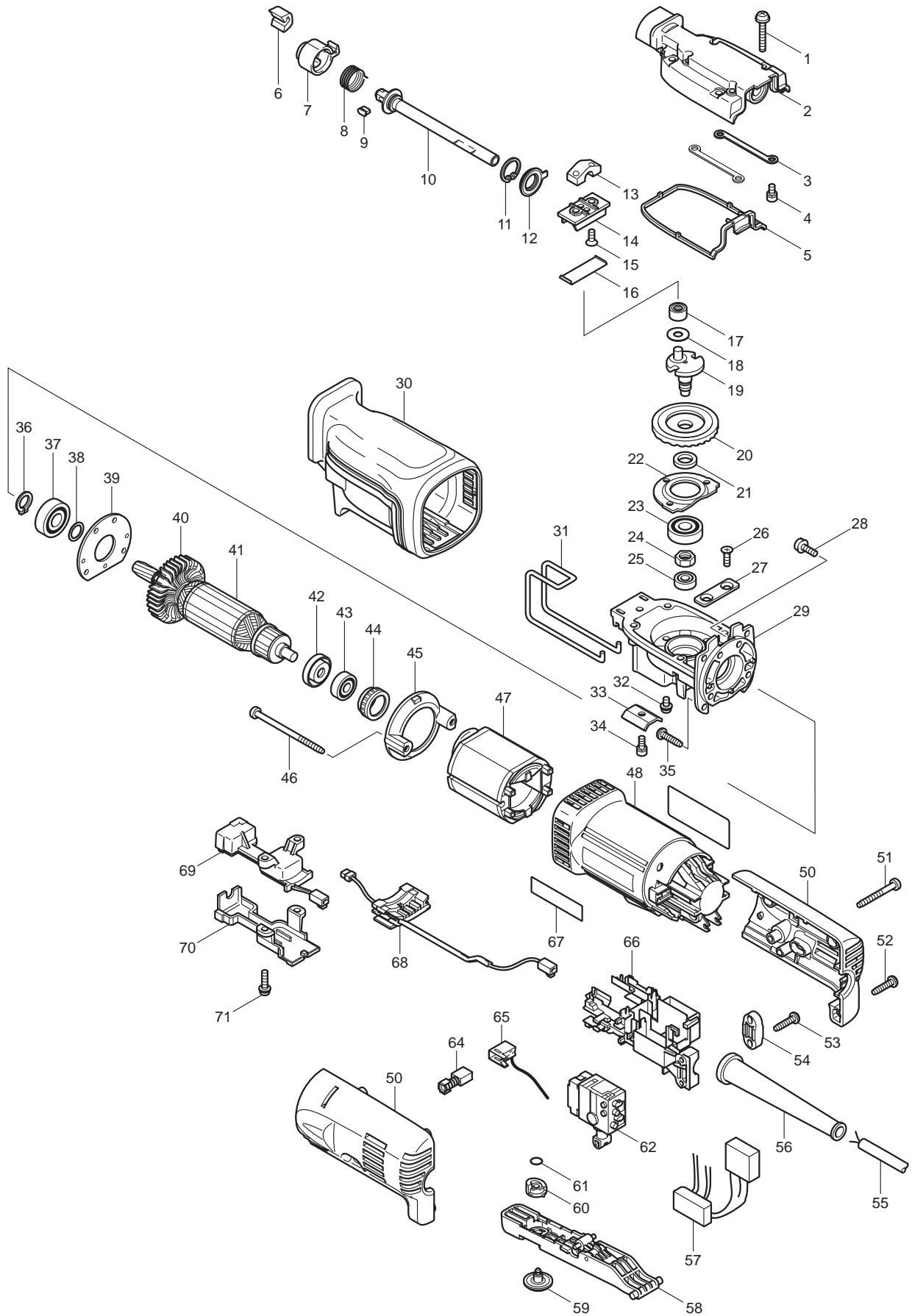




08 - 2008
JR1000FTK
RECIPRO SAW



Item No	Type	Ref	Part No	Description	Qty	Unit
1			911148-2	PAN HEAD SCREW M4X25	4	PC.
2			153877-3	GEAR HOUSING COVER COMPLETE	1	PC.
3			345428-8	SLIDE PLATE	2	PC.
4			922106-3	HEX. SOCKET HEAD BOLT M4X8	4	PC.
5			421864-3	PACKING	1	PC.
6			418636-5	HOLDER COVER	1	PC.
7			310136-0	BLADE HOLDER	1	PC.
8			231660-9	TORSION SPRING 15	1	PC.
9			310135-2	PUSH PIN	1	PC.
10			165391-7	ROD	1	PC.
11			962068-3	RETAINING RING R-18	1	PC.
12			421817-2	DUST COVER	1	PC.
13			317787-0	HOLDER	1	PC.
14			310028-3	SLIDER	1	PC.
15			265035-0	COUNTERSUNK HEAD SCREW M4X10	2	PC.
16			344232-2	THRUST PLATE	1	PC.
17			212010-7	NEEDLE BEARING 607	1	PC.
18			253332-6	THIN WASHER 6	1	PC.
19			324435-4	GEAR SHAFT	1	PC.
20			227463-7	SPIRAL BEVEL GEAR 37	1	PC.
21			257151-2	RING 10	1	PC.
22			285713-6	BEARING RETAINER 37	1	PC.
23			211051-0	BALL BEARING 609LLB	1	PC.
24			931403-6	HEX. NUT M8	1	PC.
25			210006-2	BALL BEARING 696ZZ	1	PC.
26			912112-6	COUNTERSUNK HEAD SCREW M4X10	2	PC.
27			345429-6	PLATE	1	PC.
28			911516-9	PAN HEAD SCREW M4X12	4	PC.
29			317785-4	GEAR HOUSING	1	PC.
30			421865-1	INSULATION COVER	1	PC.
31			324436-2	SHOE	1	PC.
32			911506-2	PAN HEAD SCREW M4X8	3	PC.
33			345435-1	PLATE	1	PC.
34			922111-0	HEX. SOCKET HEAD BOLT M4X10	1	PC.
35			265995-6	TAPPING SCREW 4X18	4	PC.
36			961006-2	RETAINING RING S-10	1	PC.
37			210059-1	BALL BEARING 6000DDW	1	PC.
38			267070-4	FLAT WASHER 10	1	PC.
39			285714-4	BEARING RETAINER 43	1	PC.
40			240061-0	FAN 48	1	PC.
41			517601-2	ARMATURE ASS'Y 115V	1	PC.
		INC.	*****	Item No. 40,42,43		
42			681636-0	INSULATION WASHER	1	PC.
43			211021-9	BALL BEARING 607LLB	1	PC.
44			421494-0	RUBBER RING 19	1	PC.
45			418033-5	BAFFLE PLATE	1	PC.
46			266315-7	TAPPING SCREW MT 4X65	2	PC.
47			635081-1	FIELD 115V	1	PC.
48			183560-8	MOTOR HOUSING	1	PC.
		INC.	*****	Item No. 67		
50			183797-7	REAR COVER SET	1	PC.
51			266053-1	TAPPING SCREW 4X35	1	PC.
52			265995-6	TAPPING SCREW 4X18	3	PC.

Item No	Type	Ref	Part No	Description	Qty	Unit
53			265995-6	TAPPING SCREW 4X18	2	PC.
54			687063-9	STRAIN RELIEF	1	PC.
55			664064-4	CORD W/PLUG 2P-18-2.5M, SJ	1	PC.
56			682559-5	CORD GUARD 8	1	PC.
57			631526-7	POWER SUPPLY CIRCUIT	1	PC.
58			153477-9	SWITCH LEVER COMPLETE	1	PC.
59			418037-7	SPEED CHANGE DIAL	1	PC.
60			418040-8	CAM	1	PC.
61			213034-6	O RING 3	1	PC.
62			650200-8	SWITCH TG803BA-1, S, NO LOCK, VS	1	PC.
64	1		191927-6	CARBON BRUSH CB-407 2PC/SET, W/O ORIGIN - N/L/A	1	SET
	2		195007-0	CARBON BRUSH CB-407 2PC/SET, W/O ORIGIN	1	SET
65			643806-9	BRUSH HOLDER	2	PC.
66			687139-2	SUPPORT	1	PC.
67			819063-3	MAKITA LABEL	1	PC.
68			638340-2	LEAD UNIT	1	PC.
69			631609-3	LED CIRCUIT	1	PC.
70			418637-3	LIGHT COVER	1	PC.
71			911128-8	PAN HEAD SCREW M4X16	2	PC.
100			654126-6	TAB	4	PC.
101			654128-2	EARTH TERMINAL	1	PC.
102			654501-6	CONNECTOR P-1.25	1	PC.
103			654593-5	SPLICE	2	PC.

ACCESSORIES

A01			410048-8	WRENCH HOLDER 3.4	1	PC.
A02			783201-2	HEX. WRENCH 3	1	PC.
A03			824722-6	PLASTIC CARRYING CASE	1	PC.
		INC.	417059-4	LATCH	2	PC.
A04			A-40967	SANDING ADPTOR	1	PC.
A05			B-04977	SANDING PAPER WA60(10pcs/PK)	1	PK.
			B-04983	SANDING PAPER WA120(10pcs/PK)	1	PK.
A06			A-40945	ROUND FILE	1	PC.
			A-40951	FLAT FILE	1	PC.
A07			A-85232	INLINE JIG SAW BLADE B-8, 5/PK	1	PK
			B-04933	INLINE JIG SAW BLADE B-19S, 5/PK	1	PK
			B-04949	INLINE JIG SAW BLADE B-22S, 5/PK	1	PK
			B-04961	INLINE JIG SAW BLADE B-30, 5/PK	1	PK
			B-80416	INLINE JIG SAW BLADE B-K, 5/PK	1	PK
			792475-4	JIG SAW BLADE B-24, 5/PK	1	PK
			792529-7	JIG SAW BLADE B-10, 5/PK	1	PK